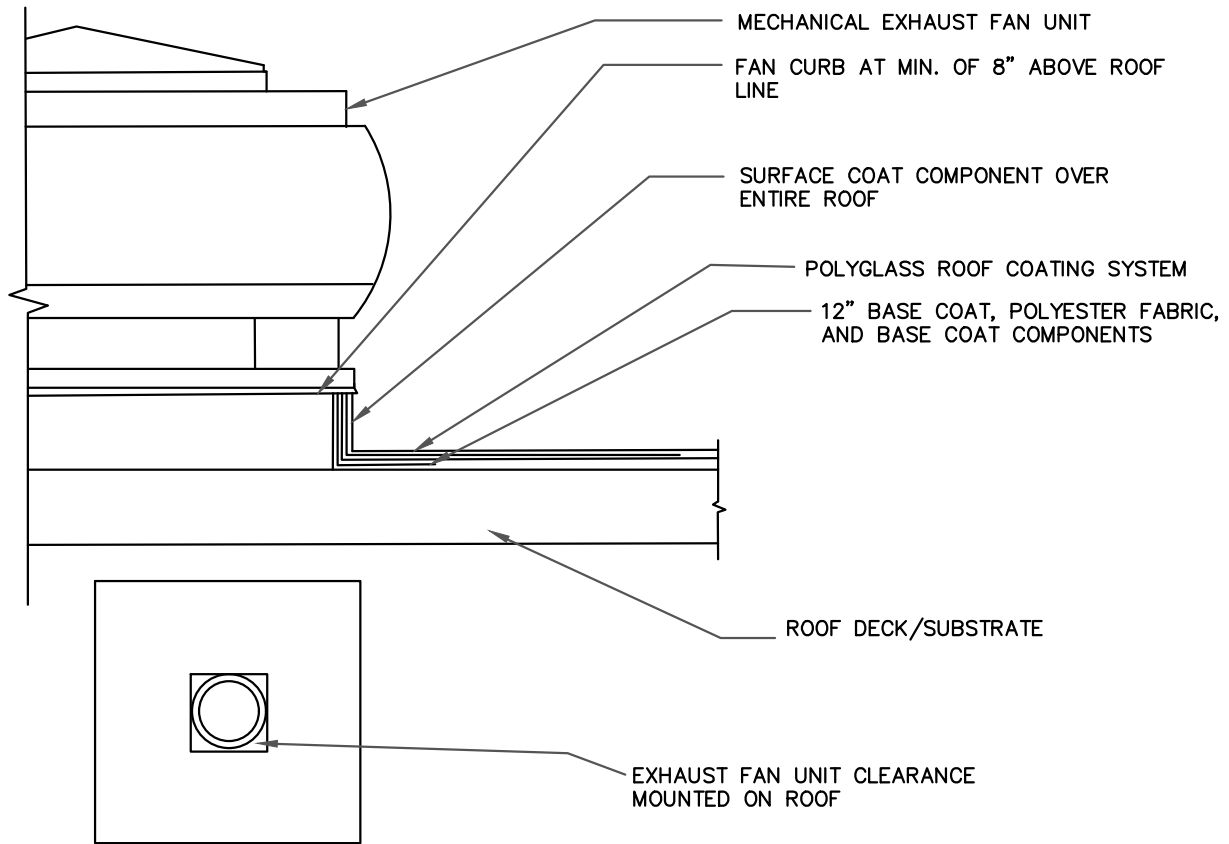


POLYGLASS ROOFING SYSTEM DETAIL



DETAIL KEYNOTES

- SURFACE COAT                      POLYGLASS ELASTOMERIC ROOF COATINGS.
- BASE COAT                            POLYGLASS ELASTOMERIC ROOF COATINGS.
- FLASHING COMPOUND            POLYGLASS FLASHING COMPOUND AS REQUIRED. APPLY AT 1/8" THICK AND USE WITH POLYESTER REINFORCEMENT.
- POLYESTER                            POLYBRITE REINFORCING POLYESTER.
- SURFACE PREPARATION            ALL SURFACES SHALL BE CLEAN, DRY, AND FREE OF ANY DIRT, DUST, GRAVEL, OIL, SURFACE CHEMICALS OR OTHER CONTAMINANTS THAT MAY INTERFERE WITH OPTIMUM ADHESION. POLYGLASS RECOMMENDS AN ADHESION TEST PRIOR TO COATING APPLICATION. IF ADHESION TEST FAILS, ADDITIONAL CLEANING AND/OR PRIMING MAY BE REQUIRED.

TYP. EXHAUST FAN FLASHING DETAIL

NUMBER:

PG-TEF-009F

DATE:

NOVEMBER 2016



www.polyglass.com