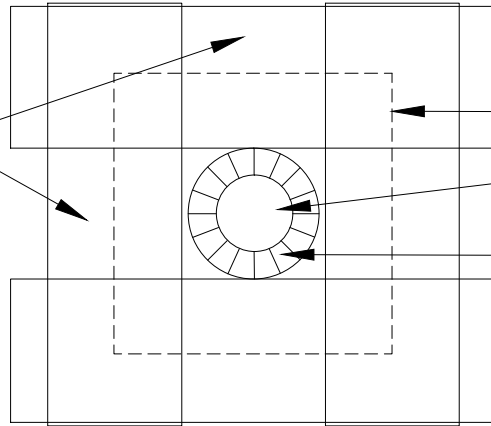


12" WIDE FABRIC AND BASE COAT (2 COATS) SPLICED OVER FLAT METAL FLASHING.



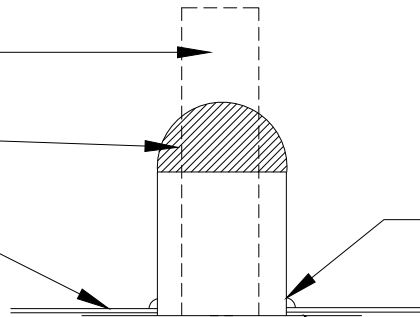
FLAT METAL PIPE FLASHING
VENT/ STACK PIPE.
SEALANT/ GASKET

SECTION

VENT/ STACK PIPE

SEALANT/ GASKET

POLYGLASS ROOF COATING SYSTEM: BASE COAT, FABRIC BASE COAT AND SURFACE COAT.



FLASHING COMPOUND.

SECTION

FLAT METAL PIPE FLASHING.

- SURFACE COAT POLYBRITE 70 OR PG 700 ELASTOMERIC ROOF COATINGS. APPLY A MINIMUM OF 2 COATS.
- BASE COAT POLYBRITE 70, POLYBRITE 76, OR PG 700 ELASTOMERIC ROOF COATINGS. APPLY A MINIMUM OF 2 COATS.
- FLASHING COMPOUND POLYBRITE 72 FLASHING COMPOUND AS REQUIRED. APPLY AT 1/8" THICK AND USE WITH POLYESTER REINFORCEMENT.
- POLYESTER POLYBRITE REINFORCING POLYESTER.
- SURFACE PREPARATION IF OXIDATION IS PRESENT, GRINDING AFFECTED AREAS WITH WIRE BRUSH IS NECESSARY. THEN PRIME ENTIRE ROOF WITH POLYBRITE 74 RUST INHIBITOR PRIMER APPLIED AT THE RATE OF 18-24 WET MILS (150-180 SQUARE FEET PER GALLON).

VENT/ STACK PIPE
DETAIL

NUMBER:

PG-VSP-001

DATE:

MARCH 2014



www.polyglass.com